

REQUEST FOR AWNING QUOTATION

Company Name: _____

Company Address: _____

City/Town _____ Prov. _____ Postal Code _____

Company Phone: _____

Company Email: _____

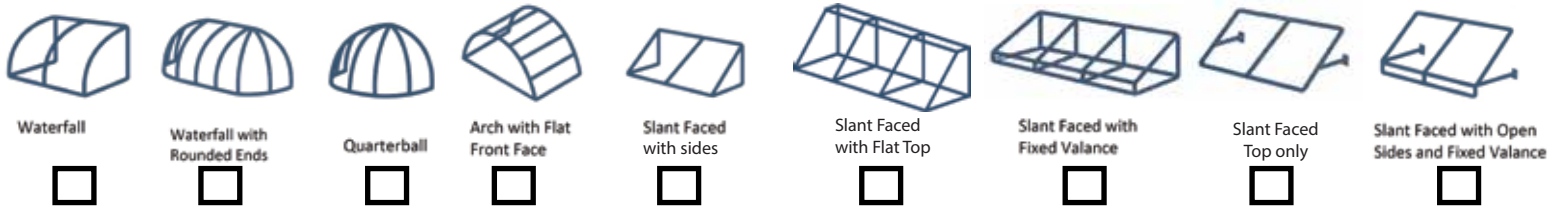
Company Contact: _____



Return Requests to:
 david@barrietentandawning.com
 or Fax: 705-722-5239

Awning Recover New Awning

Awning Style



Awning Fabric

Non-Illuminated

- Sunbrella - 46" Solid or Striped - **Graphics must be painted**
- Weblon vinyl - 62" Solid or Striped - **NOT** Receptive to vinyl graphics
- Stam 6002 - 102" Solid or Stripped - Receptive to vinyl graphics
- Preconstraint 502 - 71" Solid - **NOT** Receptive to vinyl graphics

Internally Illuminated

- Awntmax - 80" White or Colours* - Receptive to vinyl graphics
- Cooly-Brite** - 78" White or Colours - Receptive to vinyl graphics

* Graphics will not illuminate properly on a coloured background
 ** Coloured awnings must have pigmented top coat removed chemically before application of graphics

Options: Valance Lights Hanging Angle & Egg-Crating Shrink Wrapped

Awning #1 Dimensions

Height: _____
 Projection: _____
 Length: _____
 Slope (if recover): _____
 Valance (If any): _____

Office Use: _____

Awning #2 Dimensions

Height: _____
 Projection: _____
 Length: _____
 Slope (if recover): _____
 Valance (If any): _____

Office Use: _____

Awning #3 Dimensions

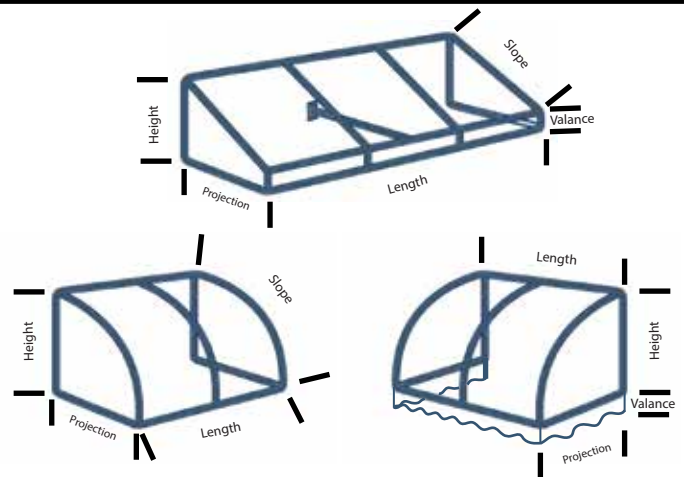
Height: _____
 Projection: _____
 Length: _____
 Slope (if recover): _____
 Valance (If any): _____

Office Use: _____

Awning #4 Dimensions

Height: _____
 Projection: _____
 Length: _____
 Slope (if recover): _____
 Valance (If any): _____

Office Use: _____



Valance Style



Additional Comments: _____